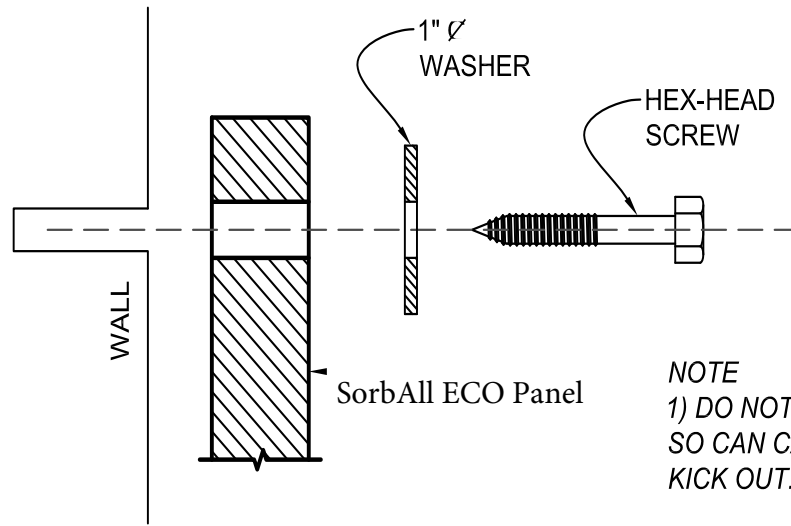
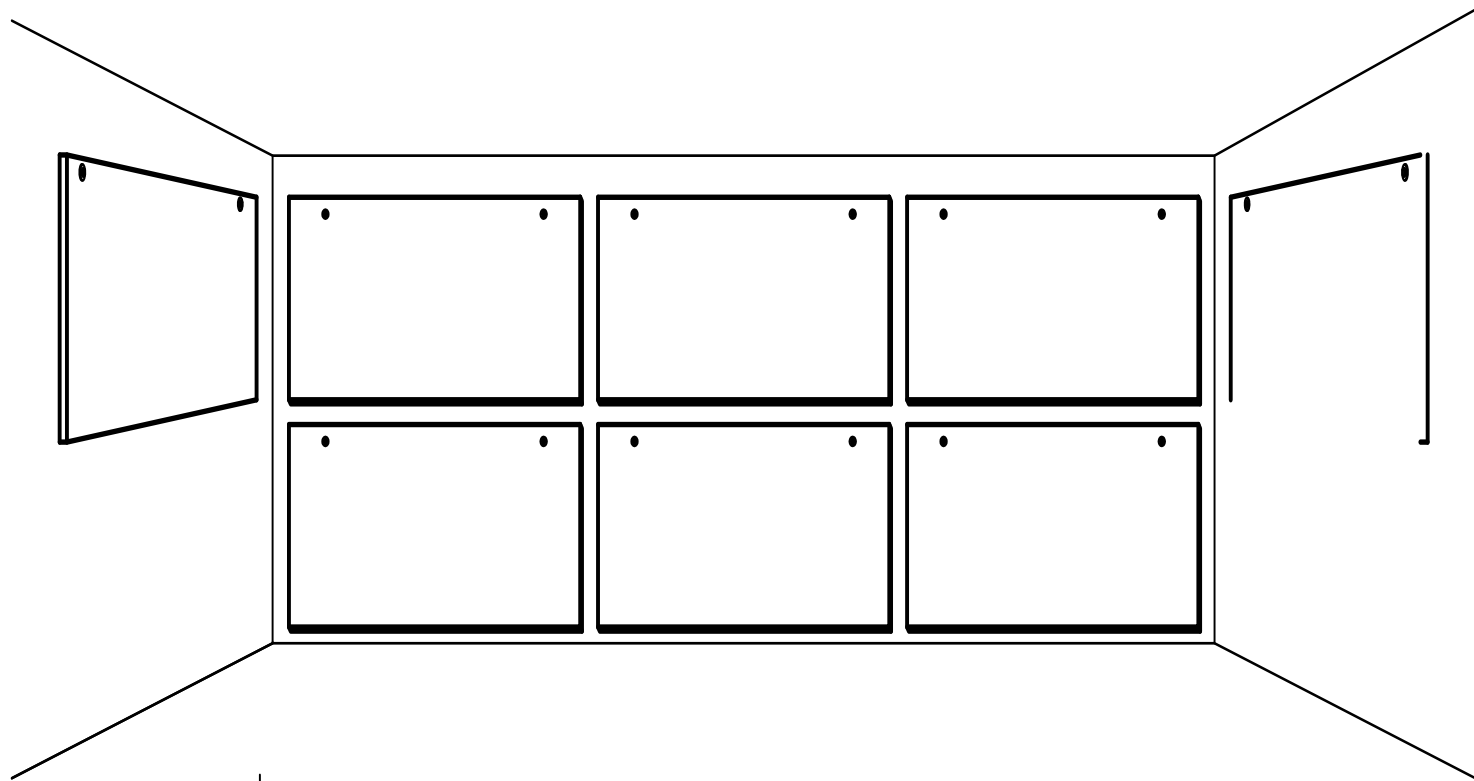


SorbAll ECO Wall Panel Installation



NOTE
1) DO NOT OVER TIGHTEN HARDWARE. DOING SO CAN CAUSE BOTTOM OF PANEL TO KICK OUT.